

HalfSlim

SATA6.0Gbps
XFDHSS-GD / LFDHSS-GD Series



Size is half of 1.8" HDD.

The new SATA 6.0 Gbps Model is a high-speed SSD with stable speed and less degrading of data transmission speed during continuous access.

Product features

● Onboard life warning LED

The onboard LED will report the SSD status by lighting up when the end of the service life is approaching. This will allow the user to visually grasp the end of life of an SSD and prevent sudden failures. And the function is compatible with our lifetime diagnostic monitoring software LiveMonitor. The precise service life prediction is possible in the customer's actual operating environment.

● Randomizer Function

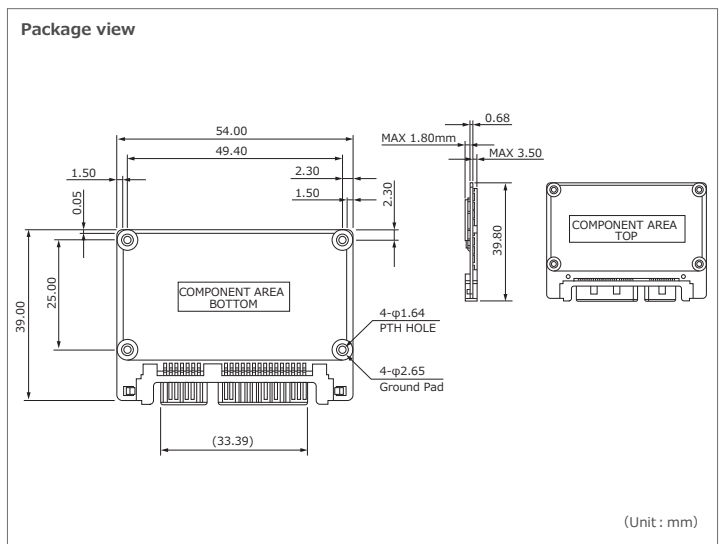
Random data pattern writing reduces the probability of an error and avoids the continuation of identical data for enhanced reliability by reducing the errors.

● Read Retry Function

A function to read the correct data even in a block with dropped data sustainability by repeated reading with a new voltage threshold.

● Supported SMART monitoring tool.

We can offer complement SMART monitoring tool called "Livemonitor". It also allows to check internal condition with access analysis.



| Q-MLC | ● | ● | ● | ● | ● | ● | ○ | ○ | ● | ● | ● | ● | ● | ● | ● |
|-------|---|---|---|---|---|---|---|---|---|---|---|---|---|---|---|
| MLC | ● | ● | ● | ● | ● | ● | ○ | ○ | ● | ● | ● | ● | ● | ● | ● |



Product Specifications

| Flash Type | | Q-MLC | MLC |
|--------------------------|-------------------------|-----------------------|------------|
| Capacity | | 15GB~120GB | 30GB~240GB |
| interface | | SATA 6.0Gbps | |
| Power SUPPLY Voltage | | 5.0V±10% | |
| Operating temperature | Standard | 0℃~70℃ | |
| | Wide temperature | -25℃~85℃ | |
| Storage temperature | | -45℃~90℃ | |
| Operating Humidity | | ~85% (non condensing) | |
| Storage Humidity | | ~95% (non condensing) | |
| Dimensions (mm) | | 39.00 × 54.00 × 5.98 | |
| DRAM Cache | | ● | ● |
| Performance | Sequential read (MB/s) | 440 | 440 |
| | Sequential write (MB/s) | 115 | 115 |
| | Random read (IOPS) | 31,000 | 31,000 |
| | Random write (IOPS) | 28,000 | 28,000 |
| TBW (TB) ※1 | 15GB | 91 | - |
| | 30GB | 180 | 18 |
| | 60GB | 360 | 36 |
| | 120GB | 730 | 73 |
| | 240GB | - | 150 |
| Current consumption (mA) | Read (Max) | 240 | 240 |
| | Write (Max) | 255 | 255 |
| | Idle mode (typ.) | 80 | 80 |
| | DevSleep mode (typ.) | - | - |
| Warranty period | | 1year | |

※1 Total Byte Written (TBW) is calculated as write load conditions on the basis of "JEDEC 219 Client (Solid-State drive Requir

Product lineup

| | | 15GB | 30GB | 60GB | 120GB | 240GB |
|-------|---------|-----------------------|-----------------------|-----------------------|-----------------------|-----------------------|
| Q-MLC | 0~70℃ | XFDHSS-015GD (A**AH) | XFDHSS-030GD (A**AH) | XFDHSS-060GD (A**AH) | XFDHSS-120GD (A**AH) | - |
| | -25~85℃ | XFDHSS-015GD (A**AHS) | XFDHSS-030GD (A**AHS) | XFDHSS-060GD (A**AHS) | XFDHSS-120GD (A**AHS) | - |
| MLC | 0~70℃ | - | LFDHSS-030GD (A**AH) | LFDHSS-060GD (A**AH) | LFDHSS-120GD (A**AH) | LFDHSS-240GD (A**AH) |
| | -25~85℃ | - | LFDHSS-030GD (A**AHS) | LFDHSS-060GD (A**AHS) | LFDHSS-120GD (A**AHS) | LFDHSS-240GD (A**AHS) |

* management number

HAGIWARA Solutions

Hagihara Solutions Co., Ltd.

Nagoya Headquarters
8F Pacific square NagoyaNishiki, 2-5-12Nishiki, Nakaku, Nagoya city, Aichi 460-0003, Japan
TEL.+81-52-223-1301
FAX.+81-52-223-1303

Tokyo Branch Office
7F NK-Shinwa building, 5-1 Kojimachi, chiyoda-ku, Tokyo 102-0081, Japan
TEL.+81-3-3556-5016
FAX.+81-3-3556-5018

Osaka Branch Office
8F Meiji Yasuda Life Insurance Company Osaka Midosuji building, 4-1-1 Fushimi-tyo, Chuo-ku, Osaka city, Osaka 541-0044, Japan
TEL.+81-6-6223-5011
FAX.+81-6-6223-5012

Fukuoka Sales Office
4F Higashihie square building, 3-12-16 Higashihie, Hakata-ku, Fukuoka city, Fukuoka 812-0007, Japan
TEL.+81-92-477-8207
FAX.+81-92-477-8208

<http://www.hagisol.com>

Inquiries hsupport@hagisol.co.jp

- The company names and product names noted herein are trademarks or registered trademarks.
- The content of this catalog is subject to change without notice due to development and other factors.
- Hagihara Solutions is not responsible for any loss or damage that may be incurred based to the content of this catalog.