

2.5inch SATA SSD

SATA6.0Gbps

HFD25S-GD / XFD25S-GD / LFD25S-GD Series



Based on the uniquely developed FTL (flash translation layer), the model reduces the garbage collection that causes degraded speed. The models provides continuous access at overwhelming speed and stability!

Product features

● Fast random access

With our unique page mapping method, it achieves faster random access while enhancing reliability.

● High-Speed Data Accessibility

We have successfully realized enhancement 100 times as high as before on random write performance based on our unique cash algorithm while securing reliability.

● Supported SMART monitoring tool.

We can offer complement SMART monitoring tool called "Livemonitor". It also allows to check internal condition with access analysis.

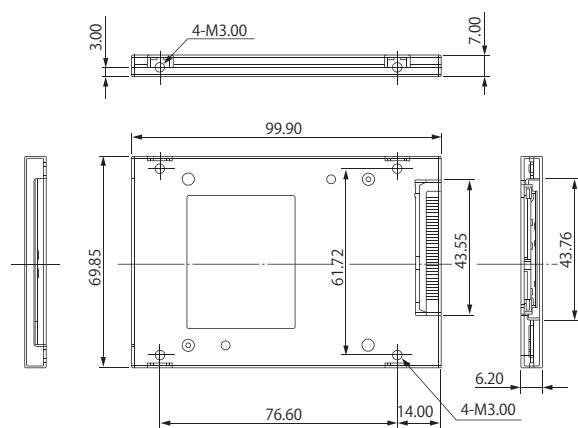
● Prolonged Lifetime

The reduced access frequency of the NAND flash prolongs the service life with page mapping and 4K alignment processing.

● Power Shutoff Durability

Device damage is prevented by the unique recovery function for any instantaneous power outages or a sudden power shutdown.

Package view



(Unit : mm)

	Static wear leveling	Refresh Function	Read retry Function	Power loss guard Function	Off line scan	Fixed specifications	RoHS	FDE (Encryption)	Wide temperature	Environmental Documents	LiveMonitor
SLC	●	●	●	●	●	●	○	○	●	●	●
Q-MLC	●	●	●	●	●	●	○	○	●	●	●
MLC	●	●	●	●	●	●	○	○	●	●	●

Static wear leveling Refresh Function Read retry Function Power loss guard Function Off line scan Fixed specifications RoHS RoHS compatibility FDE (Encryption) ●:Implementation ○:Option
TCG Opal2.0 Lifetime Notification Function Lifetime Notification LED DevSleep Function Power Shut Off Durability Wide temperature Environmental Documents LiveMonitor



Product Specifications

Flash Type		SLC	Q-MLC	MLC
Capacity		7GB~240GB	15GB~480GB	30GB~960GB
interface		SATA 6.0Gbps		
Power SUPPLY Voltage		5V±5%		
Operating temperature	Standard	0℃~70℃		
	Wide temperature	-40℃~85℃	-25℃~85℃	
Storage temperature		-45℃~90℃		
Operating Humidity		~85% (non condensing)		
Storage Humidity		~95% (non condensing)		
Dimensions (mm)		69.85 × 99.9 × 7.0		
DRAM Cache		●	●	●
Performance	Sequential read (MB/s)	500	480	440
	Sequential write (MB/s)	380	450	450
	Random read (IOPS)	54,000	53,000	52,000
	Random write (IOPS)	61,000	53,000	56,000
	7GB	260	-	-
	15GB	530	91	-
	30GB	1000	180	18
	60GB	2100	360	36
	120GB	4200	730	73
	240GB	9700	1700	150
	480GB	-	3400	310
	960GB	-	-	620
Current consumption (mA)	Read (Max)	440	290	410
	Write (Max)	520	320	770
	Idle mode (typ.)	90	90	90
	DevSleep mode (typ.)		10	
Warranty period		1year		

※1 Total Byte Written (TBW) is calculated as write load conditions on the basis of "JEDEC 219 Client (Solid-State drive Requir

Product lineup

		7GB	15GB	30GB	60GB	120GB	240GB	480GB	960GB
SLC	0~70℃	HFD25S-007GD (A**AE)	HFD25S-015GD (A**AE)	HFD25S-030GD (A**AE)	HFD25S-060GD (A**AE)	HFD25S-120GD (A**AE)	HFD25S-240GD (A**AE)	-	-
	-45~85℃	HFD25S-007GD (A**AEI)	HFD25S-015GD (A**AEI)	HFD25S-030GD (A**AEI)	HFD25S-060GD (A**AEI)	HFD25S-120GD (A**AEI)	HFD25S-240GD (A**AEI)	-	-
Q-MLC	0~70℃	-	XFD25S-015GD (A**AH)	XFD25S-030GD (A**AH)	XFD25S-060GD (A**AH)	XFD25S-120GD (A**AH)	XFD25S-240GD (A**AH)	XFD25S-480GD (A**AH)	-
	-25~85℃	-	XFD25S-015GD (A**AHS)	XFD25S-030GD (A**AHS)	XFD25S-060GD (A**AHS)	XFD25S-120GD (A**AHS)	XFD25S-240GD (A**AHS)	XFD25S-480GD (A**AHS)	-
MLC	0~70℃	-	-	LFD25S-030GD (A**AH)	LFD25S-060GD (A**AH)	LFD25S-120GD (A**AH)	LFD25S-240GD (A**AH)	LFD25S-480GD (A**AH)	LFD25S-960GD (A**AH)
	-25~85℃	-	-	LFD25S-030GD (A**AHS)	LFD25S-060GD (A**AHS)	LFD25S-120GD (A**AHS)	LFD25S-240GD (A**AHS)	LFD25S-480GD (A**AHS)	LFD25S-960GD (A**AHS)

* management number

HAGIWARA Solutions

Hagiwara Solutions Co., Ltd.

Nagoya Headquarters
8F Pacific square NagoyaNishiki, 2-5-12Nishiki, Nakaku, Nagoya city, Aichi 460-0003, Japan
TEL.+81-52-223-1301
FAX.+81-52-223-1303

Tokyo Branch Office
7F NK-Shinwa building, 5-1 Kojimachi, chiyoda-ku, Tokyo 102-0081, Japan
TEL.+81-3-3556-5016
FAX.+81-3-3556-5018

Osaka Branch Office
8F Meiji Yasuda Life Insurance Company Osaka Midosuji building, 4-1-1 Fushimi-tyo, Chuo-ku, Osaka city, Osaka 541-0044, Japan
TEL.+81-6-6223-5011
FAX.+81-6-6223-5012

Fukuoka Sales Office
4F Higashihie square building, 3-12-16 Higashihie, Hakata-ku, Fukuoka city, Fukuoka 812-0007, Japan
TEL.+81-92-477-8207
FAX.+81-92-477-8208

<http://www.hagisol.com>

Inquiries

hsolupport@hagisol.co.jp

- The company names and product names noted herein are trademarks or registered trademarks.
- The content of this catalog is subject to change without notice due to development and other factors.
- Hagiwara Solutions is not responsible for any loss or damage that may be incurred based to the content of this catalog.